

Hyundai Commercial Vehicle  
**SPECIFICATIONS**

H350 / COUNTY / AERO TOWN / SUPER AERO CITY / UNICITY / UNIVERSE



## Hyundai Bus



|                 |    |
|-----------------|----|
| H350            | 4  |
| COUNTY          | 23 |
| AERO TOWN       | 33 |
| SUPER AERO CITY | 40 |
| UNIVERSE        | 49 |

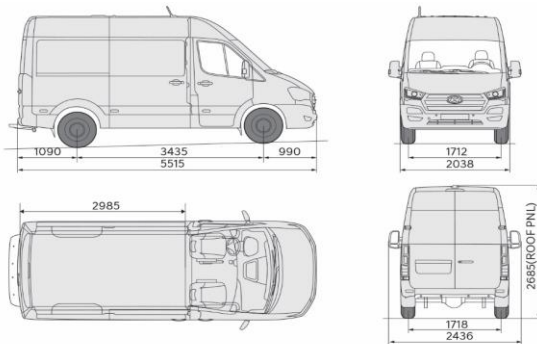


# H350

VAN  
BUS  
TRUCK

# H350 VAN SHORT BODY

HYUNDAI BUS

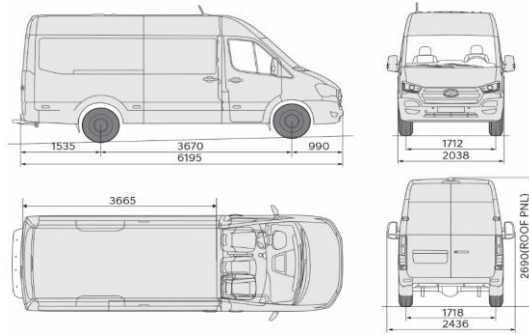


|                              |                          |   |         |             |         |
|------------------------------|--------------------------|---|---------|-------------|---------|
| Body type                    |                          | 3.5TON  |         |             |         |
| Drive type                   |                          | Left Hand Drive, 4x2                          |         |             |         |
| Wheel Base                   |                          | SHORT   |         |             |         |
| Suspension                   |                          | Leaf/Independent                              |         |             |         |
| Application Engines          |                          | D4CB15F                                       | D4CB17F | D4CB15G     | D4CB17G |
| Emission                     |                          | EURO 5  |         | EURO 6      |         |
| <b>Dimensions (mm)</b>       |                          |   |         |             |         |
| Overall                      | Length                   | 5,515   |         |             |         |
|                              | Width                    | 2,038 (without mirrors), 2,436 (with mirrors) |         |             |         |
|                              | Height                   | 2,685   |         |             |         |
| Wheel Base                   |                          | 3,435   |         |             |         |
| Wheel Tread                  | Front / Rear             | 1,712 / 1,718                                 |         |             |         |
| Overhang                     | Front / Rear             | 990 / 1,090                                   |         |             |         |
| Loadspace                    | Length                   | EEC   | 2,985   |             |         |
|                              |                          | Maximum                                       | 3,100   |             |         |
|                              | Width                    | Belt line                                     | 1,796   |             |         |
|                              |                          | Maximum                                       | 1,806   |             |         |
|                              | Height                   | 1,956   |         |             |         |
|                              | Volume (m <sup>3</sup> ) | 10.5  |         |             |         |
| Width-wheel arches           | 1,380                    |   |         |             |         |
| Side Sliding door            | Entry width              | 1.2m height                                   | 1,255   |             |         |
|                              |                          | Maximum                                       | 1,280   |             |         |
|                              | Entry height             | 1,810   |         |             |         |
| Tailgate                     | Entry width              | 1,550   |         |             |         |
|                              | Entry height             | 1,810   |         |             |         |
|                              | Loading height           | 690   |         |             |         |
| Angle                        | Approach                 | 19.1°   |         |             |         |
|                              | Departure                | 25.4°   |         |             |         |
| Min. Ground Clearance        |                          | 185   |         |             |         |
| <b>Weight (kg)</b>           |                          |   |         |             |         |
| Empty Vehicle Weight (Cargo) |                          | 2,136   |         | 2,200       |         |
|                              |                          | Front / Rear                                  |         | 1,304 / 832 |         |
| ** Max Gross Vehicle Weight  |                          | 3,500   |         |             |         |
|                              |                          | Front / Rear                                  |         |             |         |
|                              |                          | 1,850 / 2,240                                 |         |             |         |
| Trailer Weight               |                          | 750 (Without brake), 3,000 (With brake)       |         |             |         |

\*Standard trim & without option, seating capacity: 1(driver)+1(codriver), fuel 90%  
 \*\* Max. GVW includes the front & rear axle loads based on the permissible tire load.

# H350 VAN MEDIUM BODY

HYUNDAI BUS



| Body type                    |                          | 3.5 TON                                 |   | 4.0 TON       |         | 4.1 TON       |         |
|------------------------------|--------------------------|---|---|---------------|---------|---------------|---------|
| Drive type                   |                          | Left Hand Drive, 4x2                    |   |               |         |               |         |
| Wheel Base                   |                          | MEDIUM                                  |   |               |         |               |         |
| Suspension                   |                          | Leaf / Independent                      |   |               |         |               |         |
| Application Engines          |                          | D4CB15F                                 | D4CB17F                                       | D4CB15G       | D4CB17G | D4CB17G       | D4CB17G |
| Emission                     |                          | EURO 5                                  |   | EURO 6        |         | EURO 5        | EURO 6  |
| <b>Dimensions (mm)</b>       |                          |   |   |               |         |               |         |
| Overall                      | Length                   |   | 6,195   |               |         |               |         |
|                              | Width                    |   | 2,038 (without mirrors), 2,436 (with mirrors) |               |         |               |         |
|                              | Height                   |   | 2,690   |               |         |               |         |
| Wheel Base                   |                          | 3,670                                   |   |               |         |               |         |
| Wheel Tread                  |                          | Front / Rear                            |   | 1,712 / 1,718 |         |               |         |
| Overhang                     |                          | Front / Rear                            |   | 990 / 1,535   |         |               |         |
| Loadspace                    | Length                   | EEC                                     | 3,665   |               |         |               |         |
|                              |                          | Maximum                                 | 3,780   |               |         |               |         |
|                              | Width                    | Belt line                               | 1,796   |               |         |               |         |
|                              |                          | Maximum                                 | 1,806   |               |         |               |         |
|                              | Height                   |   | 1,956   |               |         |               |         |
|                              | Volume (m <sup>3</sup> ) |   | 12.9  |               |         |               |         |
| Width-wheel arches           |                          | 1,380                                   |   |               |         |               |         |
| Side Sliding door            | Entry width              | 1.2m height                             | 1,255   |               |         |               |         |
|                              |                          | Maximum                                 | 1,280   |               |         |               |         |
|                              | Entry height             |   | 1,810   |               |         |               |         |
| Tailgate                     | Entry width              |   | 1,550   |               |         |               |         |
|                              | Entry height             |   | 1,810   |               |         |               |         |
|                              | Loading height           |   | 692   |               |         |               |         |
| Angle                        | Approach                 |   | 19.2°   |               |         |               |         |
|                              | Departure                |   | 18°   |               |         |               |         |
| Min. Ground Clearance        |                          | 185                                     |   |               |         |               |         |
| <b>Weight (kg)</b>           |                          |   |   |               |         |               |         |
| Empty Vehicle Weight (Cargo) |                          | 2,240                                   |   | 2,324         |         | 2,357         |         |
|                              |                          | Front / Rear                            |   | 1,326 / 914   |         | 1,385 / 972   |         |
| ** Max Gross Vehicle Weight  |                          | 3,500                                   |   | 4,000         |         | 4,100         |         |
|                              |                          | Front / Rear                            |   | 1,850 / 2,240 |         | 1,850 / 2,430 |         |
| Trailer Weight               |                          | 750 (Without brake), 3,000 (With brake) |   |               |         | 0             |         |

\* Standard trim & without option, seating capacity: 1(driver)+1(codriver), fuel 90%

\*\* Max. GVW includes the front & rear axle loads based on the permissible tire load.

| Chassis Specifications       |              |  |                  |                  |                  |
|------------------------------|--------------|--|------------------|------------------|------------------|
| Engine                       |              |  |                  |                  |                  |
| Model                        |              | D4CB15F  | D4CB17F          | D4CB15G          | D4CB17G          |
| Type                         |              | Turbo Charger Intercooler                                    |                  |                  |                  |
|                              |              | 4 stroke-cycle, water-cooled, direct-injection diesel engine |                  |                  |                  |
| Number of Cylinder           |              | 4 in-line  |                  |                  |                  |
| Piston Displacement (cc)     |              | 2,497  |                  |                  |                  |
| Max. Power**<br>(ps/rpm)     | Euro 5 (LCV) | 150 / 3,600  | 170 / 3,600      | -                | -                |
|                              | Euro 6       | -  | -                | -                | 170 / 3,300      |
|                              | Euro 6 (LCV) | -  | -                | 150 / 3,600      | 170 / 3,600      |
| Max. Torque **<br>(kg.m/rpm) | Euro 5 (LCV) | 38 / 1,500-2,500   | 43 / 1,500-2,500 |                  | -                |
|                              | Euro 6       | -  | -                |                  | 43 / 1,750       |
|                              | Euro 6 (LCV) | -  | -                | 38 / 1,500-2,500 | 43 / 1,500-2,500 |
| Electrical System            | Battery      | MF 12V- 100AH (Opt: AGM 12V-105AH)                           |                  |                  |                  |
|                              | Alternator   | 12 V-130A (Opt: 12V-180A)                                    |                  |                  |                  |
| Urea tank                    |              |  |                  |                  |                  |
| Capacity                     |              | -  |                  | 22 Liter         |                  |
| Material                     |              | -  |                  | Plastic          |                  |

\*\*Max. Power and Torque of engine may vary according to each country.

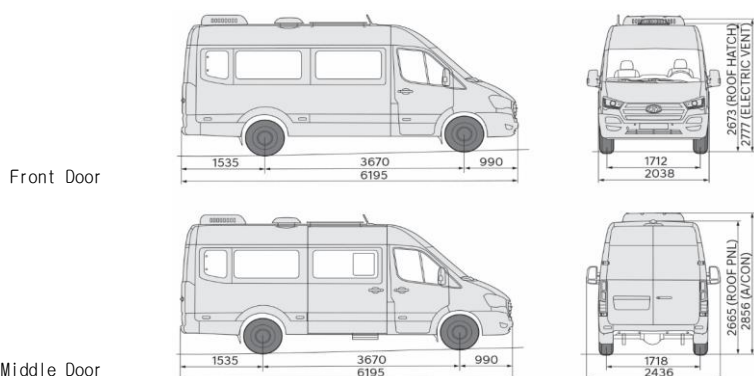
| Transmission  |  |                   |
|---------------|--|-------------------|
| Type          | 6 Speed Manual   |                   |
| Tire & Wheel  |  |                   |
| Type          | Single Front, Single Rear  |                   |
| Tire          | Front  | 235/65 R16C - 8PR |
|               | Rear   | 235/65 R16C - 8PR |
| Wheel         | Front  | 16 x 6.5J         |
|               | Rear   | 16 x 6.5J         |
| Steering      |  |                   |
| Type          | 4-Spoke, Rack & Pinion Type, Tilt & Telescopic steering column (OPT) |                   |
| Service Brake |  |                   |
| Actuation     | Hydraulic with vacuum servo assistance, dual circuit                 |                   |
| Adjuster      | Auto adjuster  |                   |

| Suspension     |       |   |
|----------------|-------|---|
|                |       | 3.5 ton   |
|                |       | 4.0 / 4.1 ton   |
| Type           | Front | McPherson Strut type Independent Suspension with tranverse leaf |
|                | Rear  | Rigid Type (Parbolic Leaf Spring)                               |
| Shock absorber |       | Twin-tube Gas charged type on the front & rear                  |
| Fuel tank      |       |   |
| Capacity       |       | 75 Liter  |
| Material       |       | Plastic   |
| Frame          |       |   |
| Type           |       | U type Longitudinal Side frame with cross members               |



# H350 BUS MEDIUM BODY

HYUNDAI BUS



|                              |                      |   |         |
|------------------------------|----------------------|---|---------|
| Body type                    | BUSINESS BUS         |   |         |
| Drive type                   | Left Hand Drive, 4x2 |   |         |
| Wheel Base                   | MEDIUM               |   |         |
| Suspension                   | Leaf / Independent   |   |         |
| Passanger door               | Front                | Front & Middle                                |         |
| Application Engines          | D4CB17G              | D4CB17G                                       |         |
| <b>Dimensions (mm)</b>       |                      |   |         |
| Overall                      | Lenght               | 6,195   |         |
|                              | Width                | 2,038 (without mirrors), 2,436 (with mirrors) |         |
|                              | Height               | Roof panel                                    | 2,665   |
|                              |                      | Hatch   | 2,673   |
| A/con                        |                      | 2,856   |         |
| Wheel Base                   | 3,670                |   |         |
| Wheel Tread                  | Front / Rear         | 1,712 / 1,718                                 |         |
| Overhang                     | Front / Rear         | 990 / 1,535                                   |         |
| Seat layout                  | Seating capacity     | 13 + 1  |         |
| Side Sliding door            | Entry width          | Door opening                                  | - / 804 |
|                              |                      | Stanchion                                     | - / 614 |
| Angle                        | Approach             | 19,3°   |         |
|                              | Departure            | 17,4°   |         |
| Min. Ground Clearance        | 185                  |   |         |
| <b>Weight (kg)</b>           |                      |   |         |
| Empty Vehicle Weight (Cargo) | 2,671                |   |         |
|                              | Front / Rear         | 1,391 / 1,280 / 1,425 / 1,312                 |         |
| ** Max Gross Vehicle Weight  | 4,000                |   |         |
|                              | Front / Rear         | 1,850 / 2,430                                 |         |
| Trailer Weight               | Without brake        | 750   |         |
|                              | With brake           | 2,500   |         |

\* Standard trim & without option, fuel 90%

\*\* Max. GW includes the front & rear axle loads based on the permissible tire load.

| Chassis Specifications    |  |                                    |
|---------------------------|--|------------------------------------|
| Engine                    |  |                                    |
| Model                     | D4CB17G  |                                    |
| Type                      | Turbo Charger Intercooler                                    |                                    |
|                           | 4 stroke-cycle, water-cooled, direct-injection diesel engine |                                    |
| Number of Cylinder        | 4 in-line  |                                    |
| Piston Displacement (cc)  | 2,497  |                                    |
| Max. Power** (ps/rpm)     | Euro 6   | 170 / 3,300                        |
| Max. Torque ** (kg.m/rpm) | Euro 6   | 43 / 1,500~2,500                   |
| Electrical System         | Battery  | MF 12V- 110AH (Opt: AGM 12V-105AH) |
|                           | Alternator   | 12V-180A                           |
| Urea tank                 |  |                                    |
| Capacity                  | 22 Liter   |                                    |
| Material                  | Plastic  |                                    |

\*\* Max. Power and Torque of engine may vary according to each country.

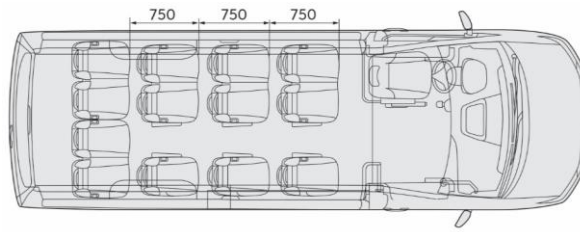
| Transmission  |  |                   |
|---------------|--|-------------------|
| Type          | 6 Speed Manual   |                   |
| Tire & Wheel  |  |                   |
| Type          | Single Front , Single Rear   |                   |
| Tire          | Front  | 235/65 R16C - 8PR |
|               | Rear   | 235/65 R16C - 8PR |
| Wheel         | Front  | 16 x 6.5J         |
|               | Rear   | 16 x 6.5J         |
| Steering      |  |                   |
| Type          | 4-Spoke, Rack & Pinion Type, Tilt & Telescopic steering column (OPT) |                   |
| Service Brake |  |                   |
| Actuation     | Hydraulic with vacuum servo assistance, dual circuit                 |                   |
| Adjuster      | Auto adjuster  |                   |

| Suspension     |       |   |
|----------------|-------|---|
| Type           | Front | McPherson Strut type Independent Suspension with tranverse leaf |
| Type           | Rear  | Rigid Type (Parbolic Leaf Spring)                               |
| Shock absorber |       | Twin-tube Gas charged type on the front & rear                  |
| Fuel tank      |       |   |
| Capacity       |       | 75 Liter  |
| Material       |       | Plastic   |
| Frame          |       |   |
| Type           |       | U type Longitudinal Side frame with cross members               |

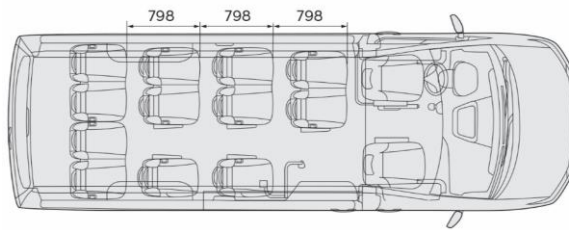
## Seat Layout

---

Front Door

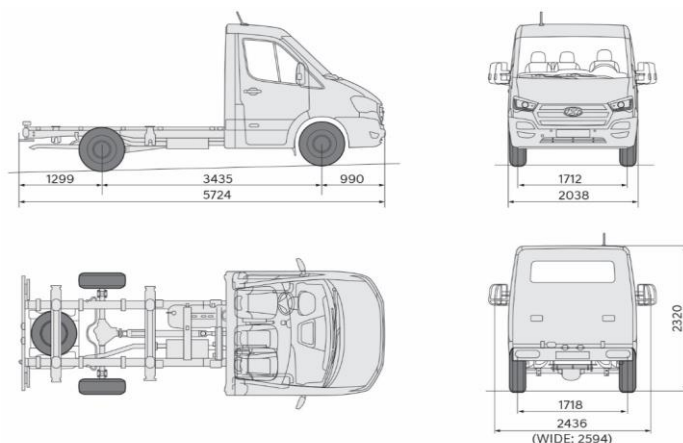


Front & Middle Door



# H350 TRUCK SHORT BODY

HYUNDAI BUS



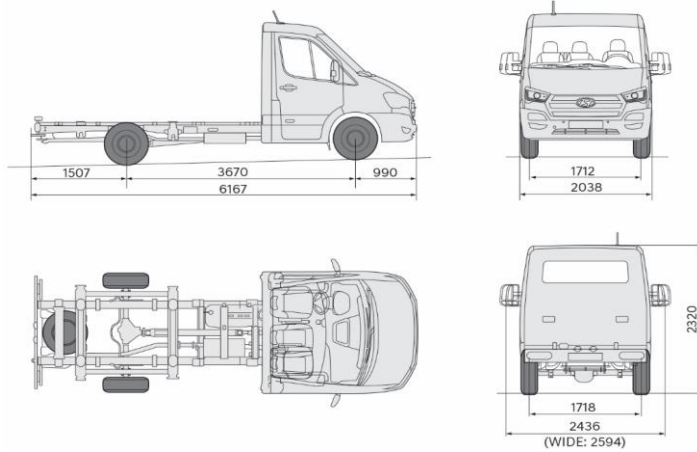
|                              |                      |  |         |         |
|------------------------------|----------------------|--|---------|---------|
| Body type                    | 3.5TON               |  |         |         |
| Drive type                   | Left Hand Drive, 4x2 |  |         |         |
| Wheel Base                   | SHORT                |  |         |         |
| Suspension                   | Leaf / Independent   |  |         |         |
| Application Engines          | D4CB15F              | D4CB15F  | D4CB15F | D4CB15F |
| Emission                     | EURO 5               |  | EURO 6  |         |
| <b>Dimensions (mm)</b>       |                      |  |         |         |
| Overall                      | Lenght               | 5,724  |         |         |
|                              | Width                | 2,038 (without mirrors), 2,436 (with mirrors), 2,594 (with long arm mirrors) |         |         |
|                              | Height               | 2,320  |         |         |
| Wheel Base                   | 3,435                |  |         |         |
| Wheel Tread                  | Front                | 1,712  |         |         |
|                              | Rear                 | 1,718  |         |         |
| Overhang                     | Front                | 990  |         |         |
|                              | Rear                 | 1,299  |         |         |
| Angle                        | Approach             | 19.1°  |         |         |
|                              | Departure            | 18°  |         |         |
| Min. Ground Clearance        | 185                  |  |         |         |
| <b>Weight (kg)</b>           |                      |  |         |         |
| Empty Vehicle Weight (Cargo) |                      | 1,790  | 1,838   |         |
|                              | Front                | 1,296  | 1,314   |         |
|                              | Rear                 | 494  | 524     |         |
| ** Max Gross Vehicle Weight  |                      | 3,500  |         |         |
|                              | Front                | 1,850  |         |         |
|                              | Rear                 | 2,240  |         |         |
| Trailer Weight               | Without brake        | 750  |         |         |
|                              | With brake           | 3,500(170PS & FGR: 3.917), 3,000 (and others)                                |         |         |

\* Standard trim & without option, seating capacity: 1(driver)+1(codriver), fuel 90%

\*\* Max. GVW includes the front & rear axle loads based on the permissible tire load.

# H350 TRUCK MEDIUM BODY

HYUNDAI BUS



|                              |                      |  |         |         |
|------------------------------|----------------------|--|---------|---------|
| Body type                    | 3.5TON               |  |         |         |
| Drive type                   | Left Hand Drive, 4x2 |  |         |         |
| Wheel Base                   | MEDIUM               |  |         |         |
| Suspension                   | Leaf / Independent   |  |         |         |
| Application Engines          | D4CB15F              | D4CB17F  | D4CB15G | D4CB17G |
| Emission                     | EURO 5               |  | EURO 6  |         |
| <b>Dimensions (mm)</b>       |                      |  |         |         |
| Overall                      | Length               | 6,167  |         |         |
|                              | Width                | 2,038 (without mirrors), 2,436 (with mirrors), 2,594 (with long arm mirrors) |         |         |
|                              | Height               | 2,320  |         |         |
| Wheel Base                   | 3,670                |  |         |         |
| Wheel Tread                  | Front                | 1,712  |         |         |
|                              | Rear                 | 1,718  |         |         |
| Overhang                     | Front                | 990  |         |         |
|                              | Rear                 | 1,507  |         |         |
| Angle                        | Approach             | 19.1°  |         |         |
|                              | Departure            | 15.4°  |         |         |
| Min. Ground Clearance        | 185                  |  |         |         |
| <b>Weight (kg)</b>           |                      |  |         |         |
| Empty Vehicle Weight (Cargo) |                      | 1,799  | 1,847   |         |
|                              | Front                | 1,298  | 1,318   |         |
|                              | Rear                 | 501  | 529     |         |
| ** Max Gross Vehicle Weight  |                      | 3,500  |         |         |
|                              | Front                | 1,850  |         |         |
|                              | Rear                 | 2,240  |         |         |
| Trailer Weight               | Without brake        | 750  |         |         |
|                              | With brake           | 3,500(170PS & FGR: 3.917), 3,000 (and others)                                |         |         |

\* Standard trim & without option, seating capacity: 1(driver)+1(codriver), fuel 90%

\*\* Max. GWV includes the front & rear axle loads based on the permissible tire load.

| Chassis Specifications       |              |  |                  |                  |                  |
|------------------------------|--------------|--|------------------|------------------|------------------|
| Engine                       |              |  |                  |                  |                  |
| Model                        |              | D4CB15F  | D4CB17F          | D4CB15G          | D4CB17G          |
| Type                         |              | Turbo Charger Intercooler                                    |                  |                  |                  |
|                              |              | 4 stroke-cycle, water-cooled, direct-injection diesel engine |                  |                  |                  |
| Number of Cylinder           |              | 4 in-line  |                  |                  |                  |
| Piston Displacement (cc)     |              | 2,497  |                  |                  |                  |
| Max. Power**<br>(ps/rpm)     | Euro 5 (LCV) | 150 / 3,600  | 170 / 3,600      | -                | -                |
|                              | Euro 6 (LCV) | -  | -                | 150 / 3,600      | 170 / 3,600      |
| Max. Torque **<br>(kg.m/rpm) | Euro 5 (LCV) | 38 / 1,500-2,500   | 43 / 1,500-2,500 | -                | -                |
|                              | Euro 6 (LCV) | -  | -                | 38 / 1,500-2,500 | 43 / 1,500-2,500 |
| Electrical System            | Battery      | MF 12V- 100AH (Opt: AGM 12V-105AH)                           |                  |                  |                  |
|                              | Alternator   | 12 V-130A (Opt: 12V-180A)                                    |                  |                  |                  |
| Urea tank                    |              |  |                  |                  |                  |
| Capacity                     |              | -  |                  |                  | 22 Liter         |
| Material                     |              | -  |                  |                  | Plastic          |

\*\* Max. Power and Torque of engine may vary according to each country.



| Transmission  |  |                   |
|---------------|--|-------------------|
| Type          | 6 Speed Manual   |                   |
| Tire & Wheel  |  |                   |
| Type          | Single Front, Single Rear  |                   |
| Tire          | Front  | 235/65 R16C - 8PR |
|               | Rear   | 235/65 R16C - 8PR |
| Wheel         | Front  | 16 x 6.5J         |
|               | Rear   | 16 x 6.5J         |
| Steering      |  |                   |
| Type          | 4-Spoke, Rack & Pinion Type, Tilt & Telescopic steering column (OPT) |                   |
| Service Brake |  |                   |
| Actuation     | Hydraulic with vacuum servo assistance, dual circuit                 |                   |
| Adjuster      | Auto adjuster  |                   |

| Suspension     |       |   |
|----------------|-------|---|
| Type           | Front | McPherson Strut type Independent Suspension with tranverse leaf |
|                | Rear  | Rigid Type (Parabolic Leaf Spring)                              |
| Shock absorber |       | Twin-tube Gas charged type on the front & rear                  |
| Fuel Tank      |       |   |
| Capacity       |       | 75 Liter  |
| Material       |       | Plastic   |
| Frame          |       |   |
| Type           |       | Double "U" type Longitudinal Side frame with cross members      |